



vmi reliant™

platformlifts

Combining the ultimate in reliability and affordability.

Featuring a wide range of platform sizes, the Reliant can accommodate a mobility device up to 51”.

Welded all steel frame, a powerful hydraulic pump, and simple electrical system for trouble-free operation. Reliant™ lifts are solid, strong and proven.

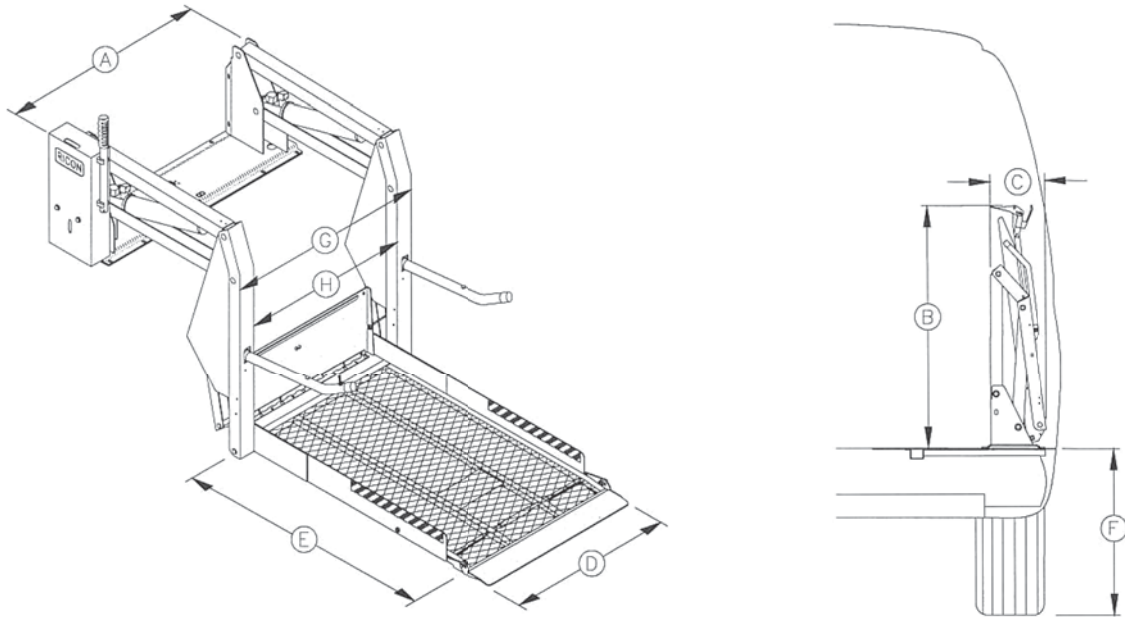
advantages

- Automatic inboard/outboard rollstops
- Quiet, smooth operation
- Welded all-steel frame
- Non-skid platform
- Permanent no-lube bearings at all major pivot points

imaginepossibilities



Power electro-hydraulic	Rated load capacity 600 lbs
Motor rating @ 12 volts DC65.0 amp. avg/cycle, 1250 psi	Manual backup (up)..... hand pump
@ 24 volts DC32.5 amp. avg/cycle, 1250 psi	Manual backup (down)pressure release valve
Hydraulic cylinders 2 ea, 1.5", power-up/gravity-down	Lift weight 310 - 325 lbs



specifications (inches)

	A	B	C	D	E	F	G	H
MODEL	Stationary frame width	Height (folded)	Installation depth (folded)	Usable platform width	Usable platform length	Floor-to-ground travel	Traveling frame width	Clear entry width
S1101	47	40.6	14	30	38	27	37.5	31
S1200	47	46.5	14	30	44	31	37.5	31
S1203	47	53.6	14	30	51	31	37.5	31
S1204	49	46.5	14	32	44	31	39.5	33
S1205	49	53.6	14	32	51	31	39.5	33
S1207	47	50.6	14	30	48	31	37.5	31
S1208	49	50.6	14	32	48	31	39.5	33